



# STAINLESS STEEL SOLENOID VALVES

Dependable • Packless

## TYPE "W" FULL PORT - NORMALLY CLOSED 1/2" TO 3" PIPE SIZE

*NO DIFFERENTIAL PRESSURE REQUIRED TO OPEN*

MAX. FLUID TEMP.  
**400° F**  
MAX. STATIC PRESSURE  
**200 PSI**

**OPERATION:**

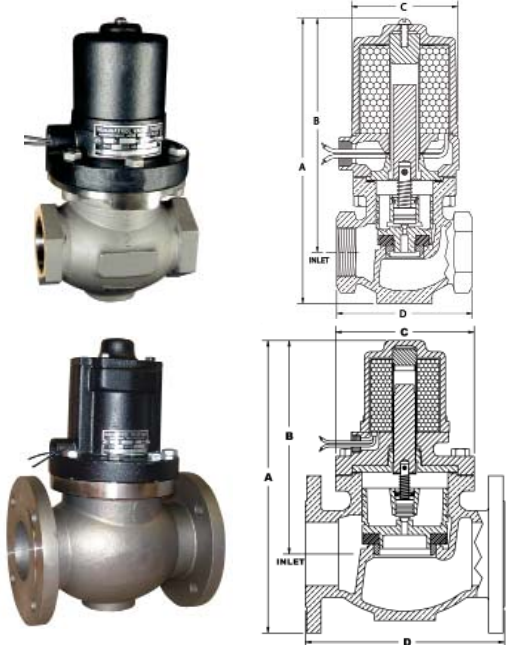
Valve opens when energized and closes when de-energized. When the coil is energized the pilot valve opens, relieving the pressure above the piston, which is then lifted from its seat by the plunger. Upon de-energizing the coil, a spring closes the pilot valve and opens a bleed passageway to permit pressure to build above the piston and seat it.

**CONSTRUCTION:**

- (\*Wetted parts - No Copper Bearing Alloys in contact with fluid)
- \*Valve Body - 304 Stainless Steel Globe Pattern - NPT ends  
**(For Flanged Ends see Options page 26)**
- \*Piston - 303 Stainless Steel  
Coil Enclosure - Malleable or Cast Iron, 1/2" NPS conduit conn.
- \*Plunger - 430 Stainless Steel
- \*Pilot Valve - 303 Stainless Steel
- \*Bonnet Tube - 304 Stainless Steel
- \*Spring - Inconel
- \*Body Seal - Non Asbestos Gasket
- \*Orifice Seal - Glass Filled Teflon
- \*AC Shading Coil - Silver
- \*Stem Pin - Inconel  
Coil - Encapsulated Class H, 18" leads

**APPLICATION:**

**To control the flow of STEAM.** Steam must be free of sediment. Valve operates from zero to maximum differential pressure indicated in table. Valve must be mounted in horizontal pipe with solenoid enclosure vertical and on top.



FOR OPTIONS & ACCESSORIES  
SEE PAGES 26 & 27

Pipe Size Inches	Max. Diff. PSI	Type No.	Watts AC	Amps Hold 120-60	Amps Inrush 120-60	Watts DC	Ship Wt. Lbs.	Dimensions In Inches				
								A	B	C	D	D (Flanged) 150#
1/2	90	14W22	25	0.4	1.2	18	7	7	5-7/8	2-7/8	3-1/4	6
	140	114W42	40	0.6	1.8	28		8	6-7/8	3-1/2		
	180	129W42	65	1.2	3.6	33		10	8	6-7/8		
3/4	50	14W23	25	0.4	1.3	18	8	7-1/8	6	2-7/8	3-1/2	6
	110	114W43	40	0.6	2.0	28		8-1/8	7	3-1/2		
	180	129W43	65	1.2	3.9	33		11	8-1/8	7		
1	25	16W14	25	0.4	1.5	18	10	8	6-5/8	3-1/4	4-1/8	6-1/2
	50	116W24	40	0.6	2.3	28						
	90	116W44	40	0.6	2.3	28						
	180	131W44	65	1.2	4.2	33						
1-1/2	25	35W16	45	0.8	3.2	23	17	10	8-1/8	4	4-7/8	6-1/2
	50	35W26	45	0.8	3.2	23						
	90	135W46	65	1.2	4.8	33						
	180	141W46	85	2.0	10.0	45						
2	25	36W17	45	0.8	3.5	23	27	11	8-3/4	5-3/8	6	8
	50	36W27	45	0.8	3.5	23						
	115	42W47	60	1.2	7.4	35						
	180	142W47	85	2.0	11.0	45						
3	25	44W19F1	60	1.2	8.8	35	68	13-3/4	10-1/2	6-5/8	N/A	9-1/2
	50	44W29F1										
	100	44W49F1										
	150	144W49F1										

Strainers are recommended for use with solenoid valves (See page 19)

**When you order please supply the following:**

- Pipe Size
  - Valve Type
  - Voltage (AC or DC)
  - Hertz
  - Fluid
  - Fluid Temperature
  - Max. Diff. Pressure
  - Optional Features
- (See pages 26 & 27)

Shipping Weights above apply to Threaded Ends Only (except 3" which are Flanged Only)  
For Flanged Ends contact factory for complete weight and dimensions  
**3" STAINLESS STEEL VALVES ARE SUPPLIED WITH FLANGED ENDS ONLY**