

BRONZE SOLENOID VALVES

Dependable • Packless

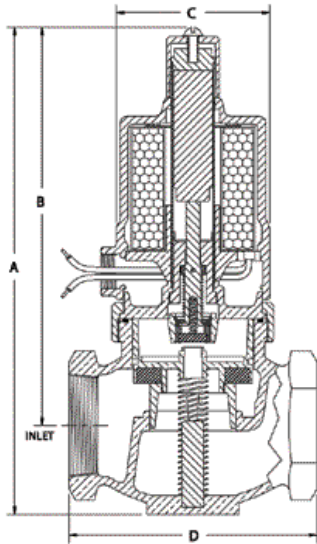


TYPE "GR" FULL PORT - NORMALLY OPEN 1" TO 3" PIPE SIZE

NO DIFFERENTIAL PRESSURE REQUIRED TO OPEN

OPERATION:

Valve closes when energized and opens when de-energized. When the coil is energized the plunger presses the poppet, closing the pilot orifice, and opens a bleed passageway to permit pressure to build above the piston and seat it. Upon de-energizing the coil, the pilot orifice is opened, relieving the pressure above the piston allowing it to leave its seat. The bottom spring allows the valve to operate at zero pressure drop.



Strainers are recommended for use with solenoid valves
(See page 19)

CONSTRUCTION: (* Wetted parts)

- *Valve Body - Cast Bronze, Globe Pattern - NPT ends
- *Piston - Bronze
Coil Enclosure - Malleable or Cast Iron, 1/2" NPS conduit conn.
- *Plunger - 430 Stainless Steel
- *Pilot Valve Stem - 303 Stainless Steel
- *Pilot Valve Disc Holder - Brass
- *Pilot Valve Seal - Buna N (Viton available)
- *Bonnet Tube - 304 Stainless Steel
- *Spring - 302 Stainless Steel
- *Body Seal - Buna N or Non Asbestos Gasket
- *Orifice Seal - Buna N (Viton or Glass Filled Teflon available)
- *AC Shading Coil - Copper
- *Stem Pin - Inconel



APPLICATION:

To control the flow of Water, Air, Gas, Solvents, Vacuum and any other fluids not reactive with construction materials and free of sediment. Buna N seating of the pilot and main orifices make the valves ideal for TIGHT SEATING, LOW PRESSURE and LOW FLOW conditions. Valve operates from zero to maximum differential pressure indicated in table. Valve must be mounted in horizontal pipe with solenoid enclosure vertical and on top.

MAX. FLUID TEMP.
212° F
MAX. STATIC PRESSURE
150 PSI



**FOR OPTIONS & ACCESSORIES
SEE PAGES 26 & 27**

When you order please supply the following:

- Pipe Size
 - Valve Type
 - Voltage (AC or DC)
 - Hertz
 - Fluid
 - Fluid Temperature
 - Max. Diff. Pressure
 - Optional Features
- (See pages 26 & 27)

Pipe Size Inches	Max Diff. PSI	Type No.	Watts AC	Amps Hold 120-60	Amps Inrush 120-60	Watts DC	Ship Wt. Lbs.	Dimension In Inches				
								A	B	C	D	D(Flanged) 150#
1	20	† 18GR24 33GR24	25	0.5	1.5	18	9	8-5/8	7-1/4	2-3/4	4-1/8	6-3/4
	35		45	1.0	3.0	23	13	9-5/8	8-1/4	2-3/4	4-1/8	
1-1/4	20	† 18GR25 33GR25	25	0.5	1.9	18	10	9-3/8	7-3/4	2-7/8	4-3/8	7
	35		45	1.0	3.2	23	14	10-1/4	8-3/4	3-1/2	4-3/8	
1-1/2	15	† 18GR26 33GR26	25	0.5	2.0	18	12	9-1/2	7-7/8	3-1/8	4-3/4	7-3/4
	25		45	1.0	3.8	23	16	10-1/2	8-7/8	3-1/2	4-3/4	
2	18	33GR27 133GR27	45	1.0	4.2	23	21	11-1/4	9-1/4	3-3/4	5-3/4	10
	30		65	1.5	4.5	33	21	11-1/4	9-1/4	3-3/4	5-3/4	
2-1/2	25	43GR28	60	1.7	8.0	35	39	12-3/4	10-1/4	5-7/8	7-7/8	11
3	25	44GR29	60	1.7	8.8	35	47	13-5/8	10-5/8	6-5/8	8	13-5/16

† UL Listed Valves - Consult Factory

MAGNATROL VALVE CORPORATION