



BRONZE SOLENOID VALVES

Dependable • Packless

TYPE "S" FULL PORT - NORMALLY CLOSED 1/2" TO 3" PIPE SIZE

NO DIFFERENTIAL PRESSURE REQUIRED TO OPEN

MAX. FLUID TEMP.
400° F
MAX. STATIC PRESSURE
200 PSI



**FOR OPTIONS & ACCESSORIES
SEE PAGES 24 & 25**

OPERATION:

Valve opens when energized and closes when de-energized. When the coil is energized the pilot valve opens, relieving the pressure above the piston, which is then lifted from its seat by the plunger. Upon de-energizing the coil, a spring closes the pilot valve and opens a bleed passageway to permit pressure to build above the piston and seat it.

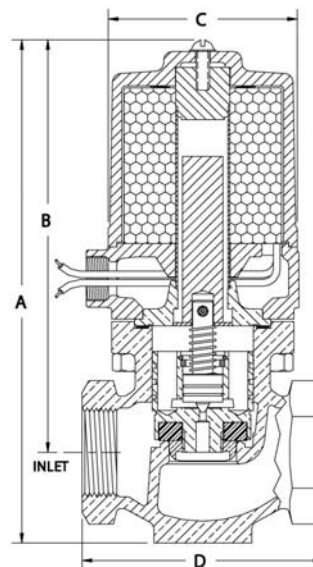
CONSTRUCTION: (* Wetted parts)

- *Valve Body - Cast Bronze, Globe Pattern - NPT ends
- *Piston - Bronze
- Coil Enclosure - Malleable or Cast Iron, 1/2" NPS conduit conn.
- *Plunger - 430 Stainless Steel
- *Pilot Valve - 303 Stainless Steel
- *Bonnet Tube - 304 Stainless Steel
- *Spring - Inconel
- *Body Seal - Non Asbestos Gasket
- *Orifice Seal - Glass Filled Teflon
- *AC Shading Coil - Copper
- *Stem Pin - Inconel
- Coil - Encapsulated Class H, 18" leads



APPLICATION:

TO CONTROL THE FLOW OF STEAM. Steam must be free of sediment. Valve operates from zero to maximum differential pressure indicated in table. Valve must be mounted in horizontal pipe with solenoid enclosure vertical and on top.



Pipe Size Inches	Max. Diff. PSI	Type No.	Watts AC	Amps Hold 120-60	Amps Inrush 120-60	Watts DC	Ship Wt. Lbs.	Dimensions In Inches								
								A	B	C	D					
1/2	90	† 14S22	25	0.4	1.2	18	8	7	5-7/8	2-7/8	3-1/4					
	140	† 114S42	40	0.6	1.8	28	11	8	6-7/8	3-1/2	3-1/4					
	180	129S42	65	1.2	3.6	33	11	8	6-7/8	3-1/2	3-1/4					
3/4	50	† 14S23	25	0.4	1.3	18	9	7-1/8	6	2-7/8	3-1/2					
	110	† 114S43	40	0.6	2.0	28	12	8-1/8	7	3-1/2	3-1/2					
	180	129S43	65	1.2	3.9	33	12	8-1/8	7	3-1/2	3-1/2					
1	25	† 16S14	25	0.4	1.5	18	11	8	6-5/8	3-1/4	4-1/8					
	50	† 116S24	40	0.6	2.3	28										
	90	† 116S44	40	0.6	2.3	28										
	180	131S44	65	1.2	4.2	33						14	8-7/8	7-1/2	3-1/2	4-1/8
1-1/4	25	† 17S15	25	0.4	1.6	18	12	8-3/8	6-3/4	3-1/2	4-1/2					
	50	† 117S25	40	0.6	2.4	28										
	140	132S45	65	1.2	4.5	33						16	9-3/8	7-3/4	3-5/8	4-1/2
	180	†† 140S45	85	2.0	9.2	N/A						20	10-3/8	8-3/4	4-1/2	4-1/2
1-1/2	25	35S16	45	0.8	3.2	23	20	10	8-1/8	4	4-7/8					
	50	35S26	45	0.8	3.2	23										
	90	135S46	65	1.2	4.8	33										
	180	141S46	85	2.0	10.0	45						24	11	9-1/8	4-1/2	4-7/8
2	25	36S17	45	0.8	3.5	23	31	11	8-3/4	5-3/8	6					
	50	36S27	45	0.8	3.5	23										
	115	42S47	60	1.2	7.4	35						36	12	9-3/4	5-3/8	6
180	142S47	85	2.0	11.0	45											
2-1/2	25	43S18	60	1.2	8.0	35	43	12-7/8	10-1/8	5-7/8	7-1/4					
	50	43S28														
	115	43S48														
	175	143S48										85	2.0	12.0	45	
3	25	44S19	60	1.2	8.8	35	56	13-3/4	10-1/2	6-5/8	8-3/8					
	50	44S29														
	100	44S49														
	150	144S49										85	2.0	13.0	45	

Strainers are recommended for use with solenoid valves (See page 19)

When you order please supply the following:

- Pipe Size
 - Valve Type
 - Voltage (AC or DC)
 - Hertz
 - Fluid
 - Fluid Temperature
 - Max. Diff. Pressure
 - Optional Features
- (See pages 24 & 25)

† UL Listed Valves - Consult Factory †† Not available for DC operation